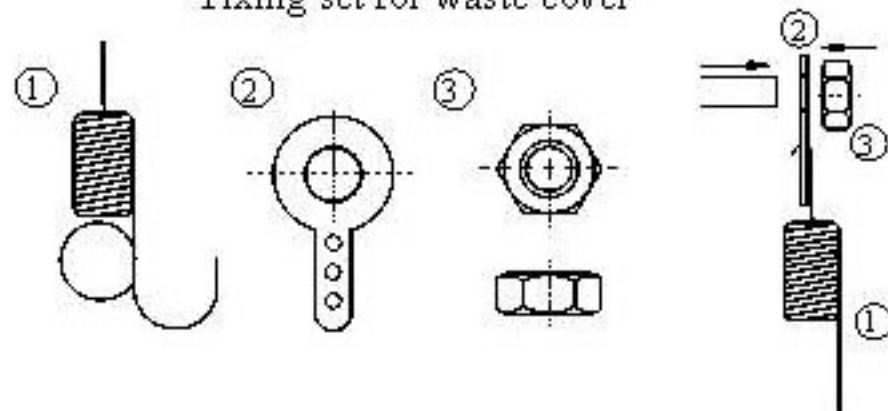


* Triplet Tap Hole Can Be Punctured

| KOD | A | B | C | KOD | D | E | n |
|--------|-----|-----|-----|-------|-----|-----|-----|
| 20451 | 450 | 375 | 165 | 20451 | 155 | 800 | 220 |
| *20501 | 500 | 400 | 190 | 20501 | 155 | 800 | 240 |

Fixing set for waste cover



20501