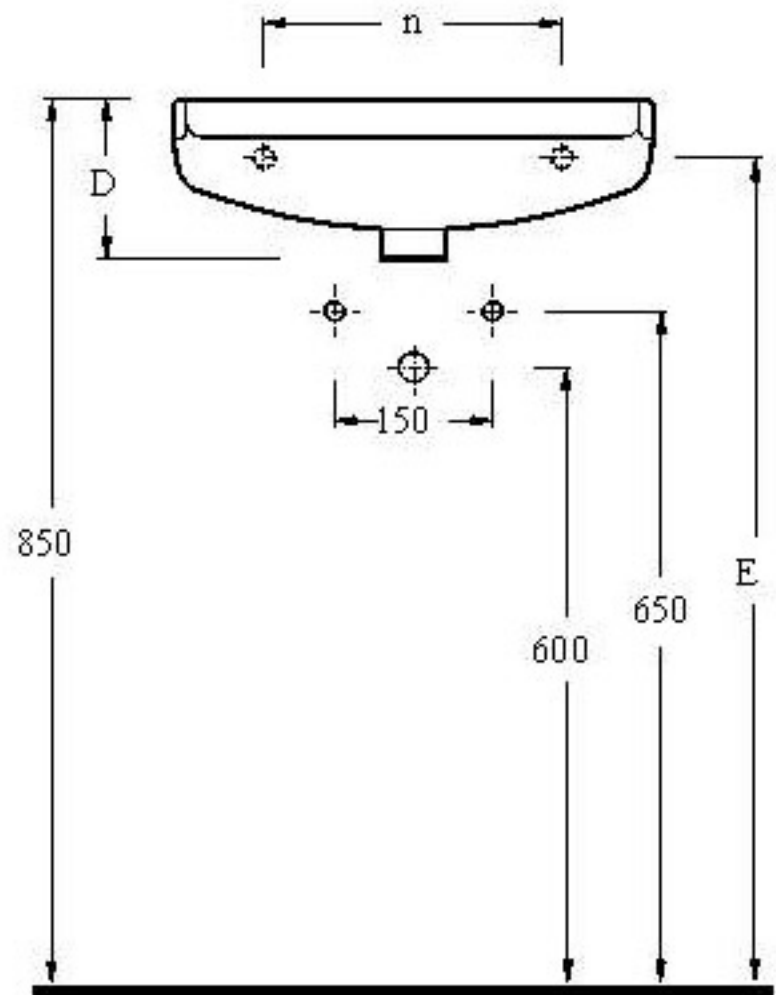


Triplet Tap Hole Can't Be Punctured

CODE	A	B	C
91451	450	280	105



CODE	D	E	n
91451	155	795	280

91451