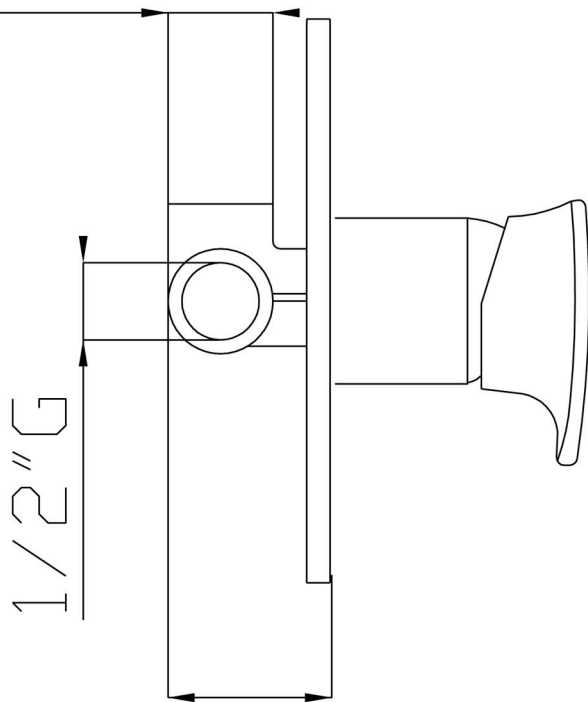
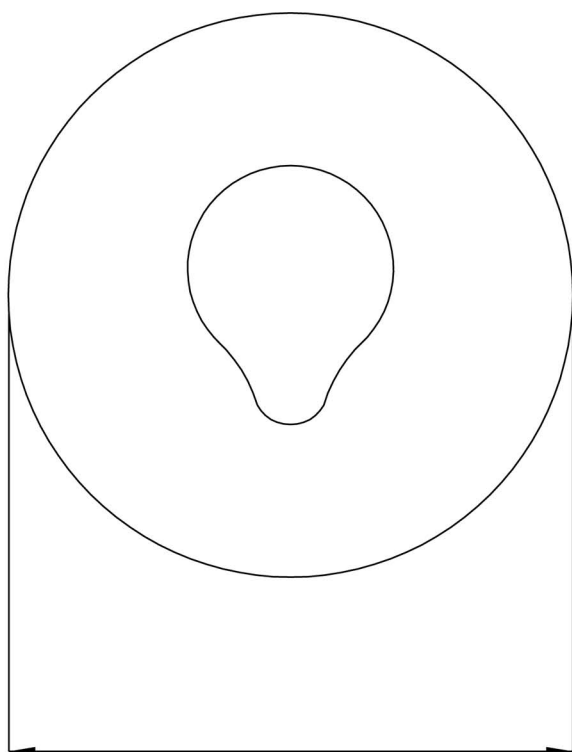


1/2" G



45MIN/75MAX



170

**12189-01**